

SPECIFICATION

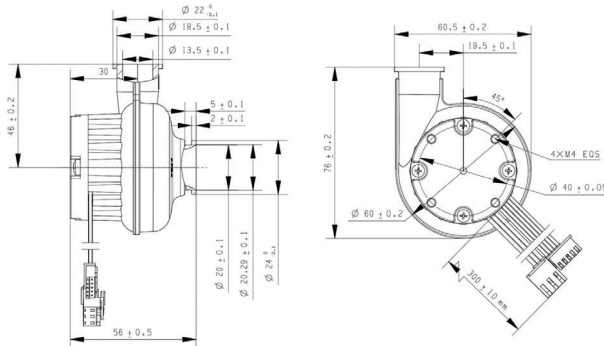
High Pressure Blower

AB C6001-xxV-1

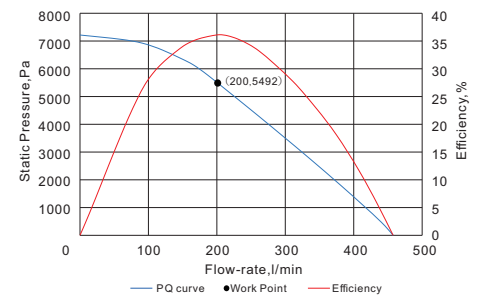
AB C6002-xxV-1



DRAWINGS



PERFORMANCE CURVE



APPLICATIONS

medical smoke removal equipment, ventilator, hydrogen fuel cell, cold chain sterilization equipment, disinfection and sterilization equipment, oxygen generator, dental equipment, negative pressure isolation chamber, PARR, moxibustion smoking, household fresh air system, temperature and humidity control, environmental monitoring equipment, gas detector, air cushion aerator, glove box, industrial smoke/dust removal equipment, liquid atomization, cooling and drying equipment, agricultural machinery, fishery aerator, etc.

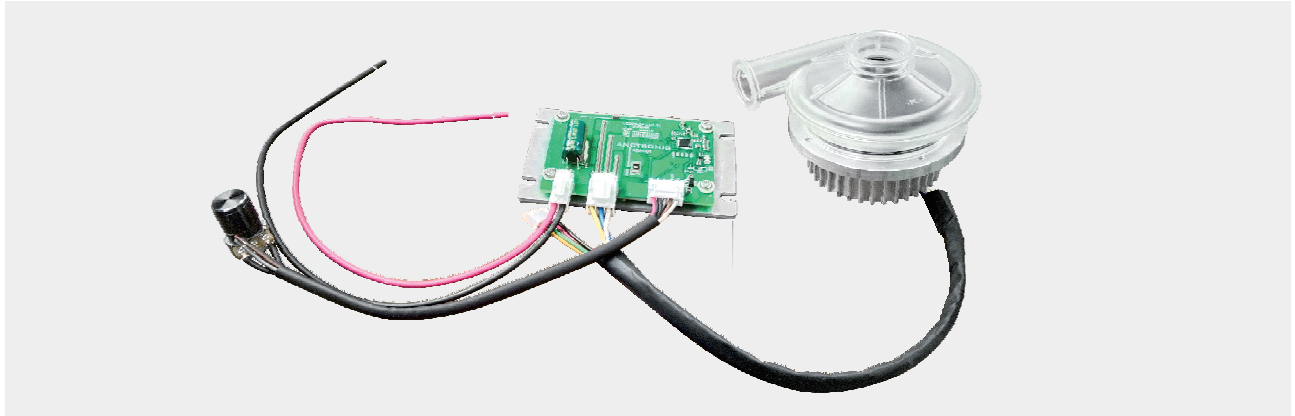
FEATURES

- Size: 76.0(L)*60.5(W)*56.0(H)mm
- Shell material: PC + aluminum alloy
- Impeller material: PA6
- Bearing: Deep groove ball bearings (NMB)
- Max. Pressure: 7.0kpa, Max. flow rate: 450l/min
- Controller arrangement: external drive, built-in drive
- Weight: 185g

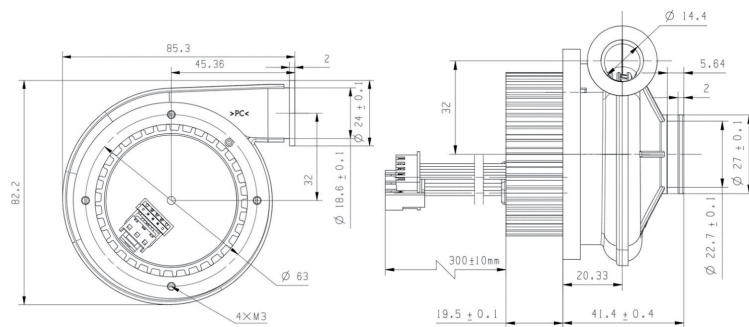
TECHNICAL DATA

Model	Rate Voltage	Max. Static Pressure	Max. Flow Rate		Rated static pressure	Rated Flow Rate		Rated Power	Rated Speed
			l/min	m ³ /h		l/min	m ³ /h		
NO.	VDC	Kpa	l/min	m ³ /h	Kpa	l/min	m ³ /h	W	RPM
AB C6001-xxV-1	12/24/48	7.0	450	27.0	5.5	200	12.1	50	39000
AB C6002-xxV-1	12/24/48	7.0	450	27.0	5.5	200	12.1	50	39000

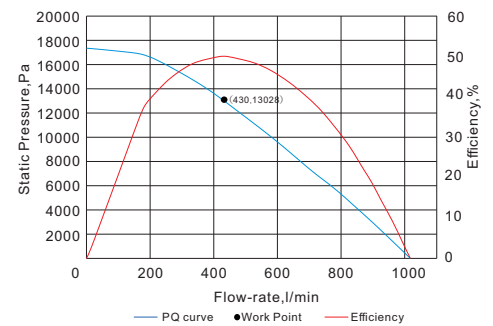
SPECIFICATION

High Pressure Blower
AB C80 SERIES

DRAWINGS



PERFORMANCE CURVE



APPLICATIONS

medical smoke removal equipment, ventilator, hydrogen fuel cell, cold chain sterilization equipment, disinfection and sterilization equipment, oxygen generator, dental equipment, negative pressure isolation chamber, PARR, moxibustion smoking, household fresh air system, temperature and humidity control, environmental monitoring equipment, gas detector, air cushion aerator, glove box, industrial smoke/dust removal equipment, liquid atomization, cooling and drying equipment, agricultural machinery, fishery aerator, etc.

FEATURES

- Size: 85.3(L)*82.2(W)*60.9(H)mm
- Shell material: PC + aluminum alloy
- Impeller material: PA6
- Bearing: Deep groove ball bearings (NMB)
- Max. Pressure: 17.0kpa, Max. flow rate: 1000l/min
- Controller arrangement: external drive
- Weight: 330g

TECHNICAL DATA

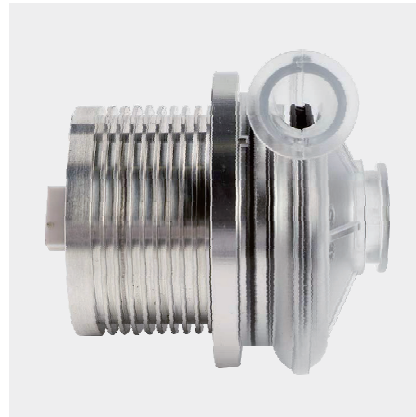
Model	Rate Voltage	Max. Static Pressure	Max. Flow Rate		Rated static pressure	Rated Flow Rate		Power	Speed
			l/min	m ³ /h		l/min	m ³ /h		
NO.	VDC	Kpa	l/min	m ³ /h	Kpa	l/min	m ³ /h	W	RPM
AB C8001-xxV-1	24/48	17.0	1000	60.0	13.0	430	25.8	187	48000
AB C8002-xxV-1	24/48	17.0	1000	60.0	14.0	388	23.3	180	47500
AB C8003-xxV-1	24/48	16.0	1000	60.0	12.0	453	27.2	178	46200
AB C8004-xxV-1	24/48	16.0	974	58.4	12.0	423	25.4	170	45000

SPECIFICATION

High Pressure Blower

AB S8001-24V-1

AB S8005-24V-1



GENERAL INFORMATION

Item

Product type	Radial blower with integrated electronic motor driver
Model	AB S8001-24V-1 AB S8005-24V-1
Manufacturer	SLDFAN
Custom	Y/A
Project no.	01
Modification	Standard product

APPLICATIONS

medical smoke removal equipment, ventilator, hydrogen fuel cell, cold chain sterilization equipment, disinfection and sterilization equipment, oxygen generator, dental equipment, negative pressure isolation chamber, PARR, moxibustion smoking, household fresh air system, temperature and humidity control, environmental monitoring equipment, gas detector, air cushion aerator, glove box, industrial smoke/dust removal equipment, liquid atomization, cooling and drying equipment, agricultural machinery, fishery aerator, etc.

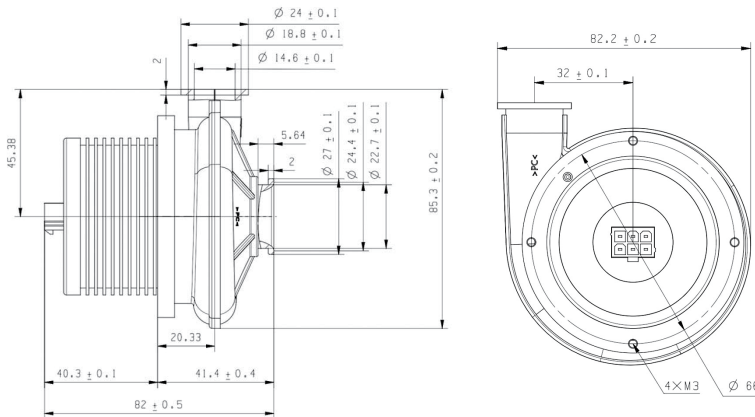
FEATURES

- Max. Pressure: 17KPa, Max. flow rate: 1000 l/min
- 24 VDC brushless DC-motor
- Speed control and tacho frequency signal
- Highly efficient, quiet operation
- Aluminum heat sink
- Two different mounting possibilities

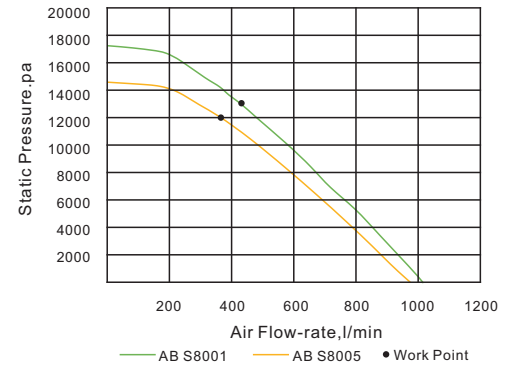
GENERAL CONDITIONS

Unless otherwise stated all data are measured at nominal voltage and are valid at 20 °C ambient temperature and 1.2 kg/m³ standard air density. Values listed are nominal and can vary depending on the installation conditions and due to component tolerances. Test setup according to ISO 5801 with standardized inlet and outlet chambers. Tolerances based on specified speed data according to ISO 13348, grade 4 pressure +/-10 %, power +16 %. Tolerances based on constant voltage: speed +/-10 %, pressure +/-21 %, power +33 %. For continuous blower operation please refer to specified maximum ratings. Performance data outside normal operating range plotted for information only.

DRAWINGS



PERFORMANCE CURVE



TECHNICAL DATA

Model	AB S8001-24V-1	AB S8005-24V-1
Size	85.3(L)*82.2(W)*82.0(H)mm	85.3(L)*82.2(W)*82.0(H)mm
Bearing	Deep groove ball bearings(NMB)	Deep groove ball bearings(NMB)
Shell material	PC + aluminum alloy	PC + aluminum alloy
Impeller material	PA6	PA6
Rated voltage	24VDC	24VDC
Voltage range	14 to 28V	14 to 28V
Rated current	7.7A	5.9A
Maximum power	240W	195W
Rated Power	185W	142W
Maximum speed	54500RPM	51500RPM
Rated speed	48000RPM	45000RPM
Max.Airflow	1000l/min(60.0m³/h)	950l/min(57.0m³/h)
Rated airflow	430l/min(25.8m³/h)	430l/min(25.8m³/h)
Max.static pressure	17.0kpa	14.5kpa
Rated static pressure	13.0kpa	12.0kpa
Max. wind speed at exit	102.39m/s	97.27m/s
Operating temperature	-20°C-+50°C	-20°C-+50°C
Humidity range	≤ 85%RH	≤ 85%RH
Matching controller	AC05	AC05
Controller arrangement	Built-in driver	Built-in driver
Inlet diameter	16.8mm	16.8mm
Inner diameter of air outlet	14.4mm	14.4mm
Harness length	300mm	300mm
Weight	380g	380g
Service life	20000h	20000h

(1) Recommended minimum continuous power supply current for proper start-up behavior at nominal voltage. This is an indicative value. Power supply dimensioning, wiring, safety, setup and validation is the customer's responsibility.

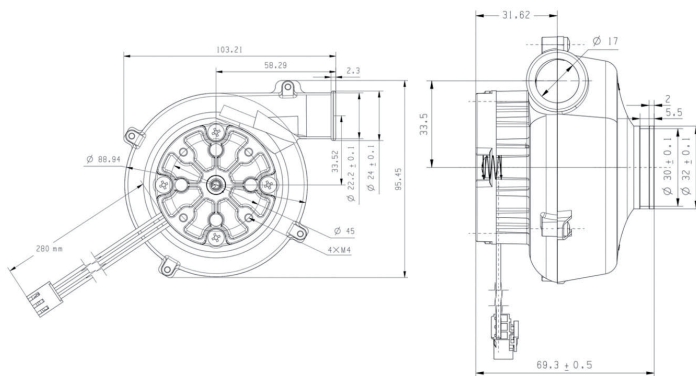
(2) Accelerated aging test at 45 °C ambient temperature, operation cycle 11.5 h ON, 0.5 h OFF, normal cleanliness according to ISO 281. Temperature dependency of lifetime according to IPC-9591: factor 1.5 per 10 °C.

(3) Measured at distance of 1 meter from inlet, with hose connected to inlet and outlet.

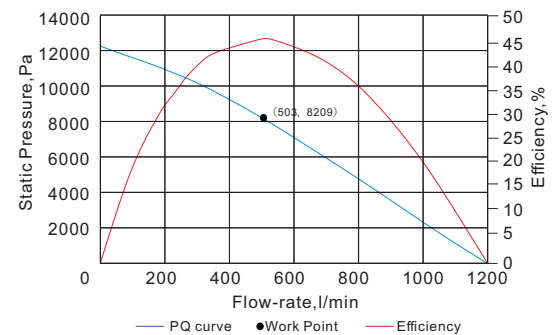
SPECIFICATION

High Pressure Blower
AB C90 SERIES

DRAWINGS



PERFORMANCE CURVE



APPLICATIONS

medical smoke removal equipment, ventilator, hydrogen fuel cell, cold chain sterilization equipment, disinfection and sterilization equipment, oxygen generator, dental equipment, negative pressure isolation chamber, PARR, moxibustion smoking, household fresh air system, temperature and humidity control, environmental monitoring equipment, gas detector, air cushion aerator, glove box, industrial smoke/dust removal equipment, liquid atomization, cooling and drying equipment, agricultural machinery, fishery aerator, etc.

FEATURES

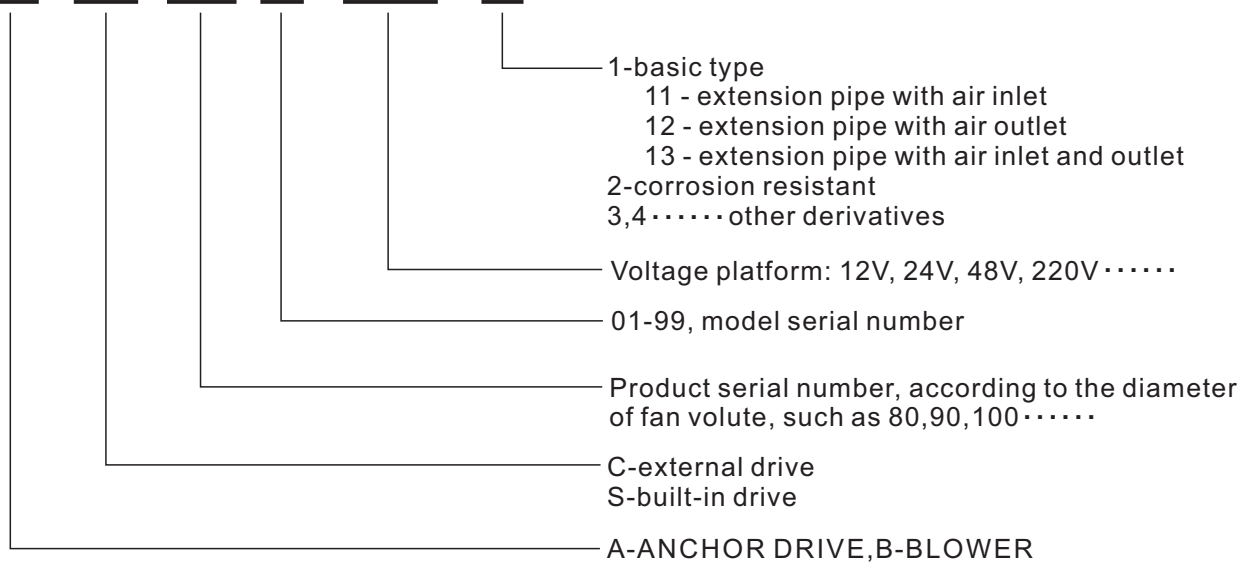
- Size: 102.85(L)*95.35(W)*69.37(H)mm
- Shell material: PC + aluminum alloy
- Impeller material: PA6
- Bearing: Deep groove ball bearings (NMB)
- Max. Pressure: 12.0kpa, Max. flow rate: 1200l/min
- Controller arrangement: external drive
- Weight: 310g

TECHNICAL DATA

Model	Rate Voltage	Max. Static Pressure	Max. Flow Rate		Rated static pressure	Rated Flow Rate		Power	Speed
			l/min	m ³ /h		l/min	m ³ /h		
AB C9001U-xxV-1	24/48	12.0	1200	72.0	8.2	503	30.2	146	29500
AB C9002U-xxV-1	24/48	12.0	1190	71.4	8.0	500	30.0	145	29300
AB C9001-xxV-1	24/48	10.5	1150	69.0	7.5	447	26.8	135	29200
AB C9002-xxV-1	24/48	10.5	1160	69.6	7.4	502	30.1	135	28400

The Model Definition of Brushless Dc Blower

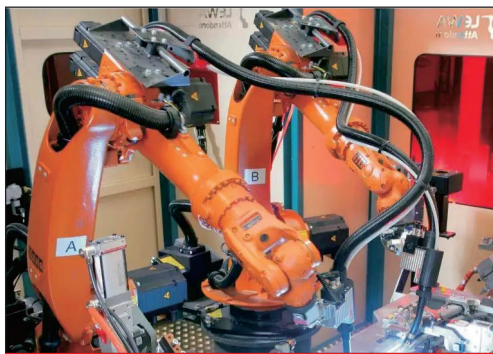
AB C/S xxx xx - xxxV - xx



Example:

AB C8001-24V-1,AB C8001-24V-11,AB C8001-24V-12,AB C8001-24V-13
 AB C8007-24V-2,AB C8007-24V-21,AB C8007-24V-22,AB C8001-24V-23
 AB S8001-24V-1,AB S8001-24V-11,AB S8001-24V-12,AB S8001-24V-13

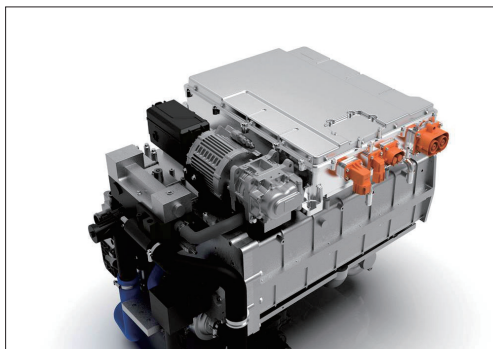
Application scenarios



Industrial automation



Medical instruments



Hydrogen fuel cell



Agricultural equipment